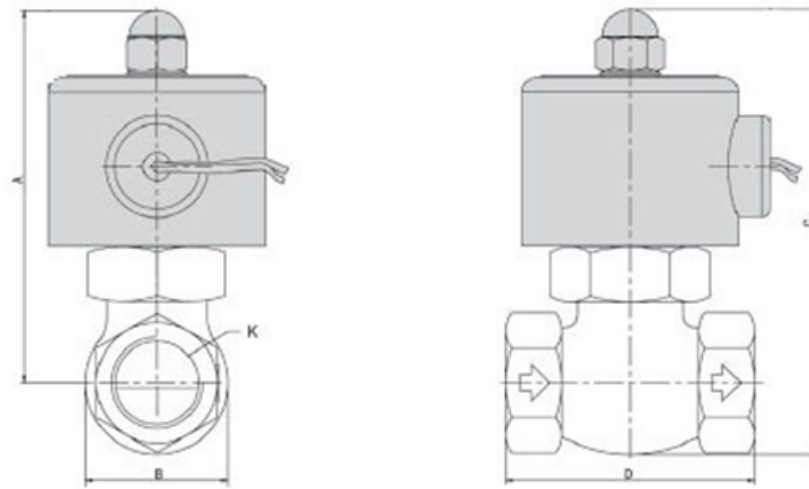




2L Series Steam Pilot Operated Solenoid Valve

Model	2L170-10	2L170-15	2L170-20	2L250-25	2L350-35	2L400-40	2L500-50
Working Type	Normally Closed						
Medium	Air,Water,Steam						
Acting Motion	Pilot Operated						
Orifice(mm)	17mm			22mm	30mm		50mm
CV value	4.8			20	48		50
Pipe Size	3/8	1/2	3/4	1	1-1/4	1-1/2	2
Working Pressure	0.5-1.5 Mpa						
Burst Pressure	2.25 Mpa						
Working Temperature	-5-180 celsius degree						
Viscosity	Under 20CST						
Seal Material	PTFE						
Body Material	Brass						
Voltage	220VAC,110VAC,24VDC						

2L Dimension



Model	2L170-10	2L170-15	2L170-20	2L250-25	2L350-35	2L400-40	2L500-50
A	125	125	125	136	148	148	176
B	42	42	42	52	74	74	86
C	146	146	146	162	185	185	223
D	82	82	82	90.5	111	111	163
K	3/8	1/2	3/4	1	1-1/4	1-1/2	2